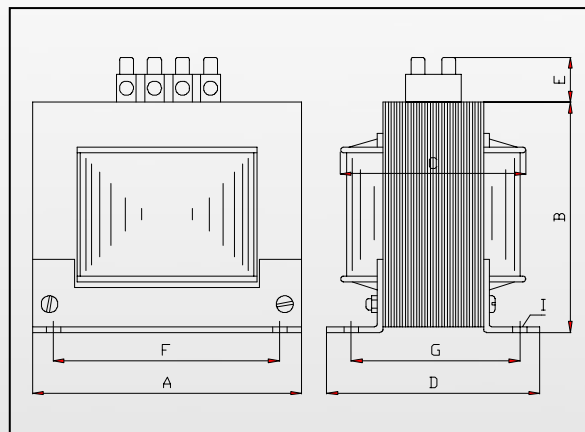
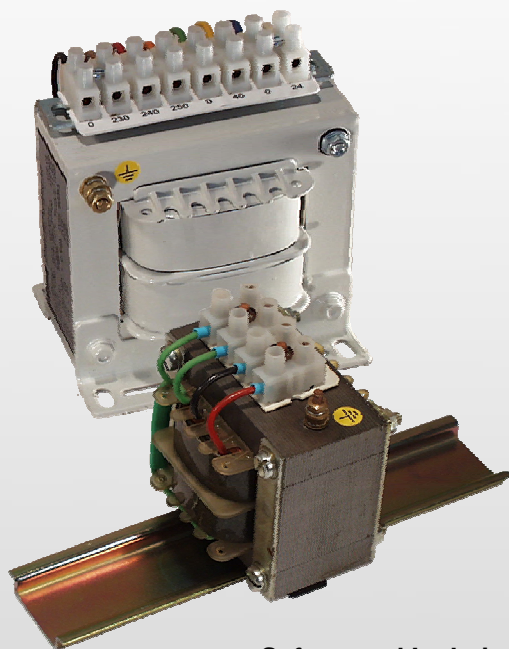


Singlephase Transformers Type TE-B/E



Safety- and Isolating transformer according EN 60742:1990

- Separated windings or autotransformer
- Vacuum-Pressure impregnated
- Different mounting configuration available
- Mountable on DIN-rails
- Voltages up to 1000V

Type	Power	A [mm]	B [mm]	C [mm]	D [mm]	F [mm]	G [mm]	I [mm]	Weight [kg]
TE-B 48a	10 VA	48	43.5	34	43	38	31.8	3.6	0.250
TE-B 54a	15 VA	54	50	39	45	44	33.8	3.6	0.350
TE-B 60a	22 VA	60	54.5	43	47	44	36	3.6	0.480
TE-B 60b	28 VA	60	54.5	53	57	44	45.5	3.6	0.660
TE-B 66a	30 VA	66	60	47	53	50	40	4.8	0.630
TE-B 66b	40 VA	66	60	58	65	50	51.7	4.8	0.890
TE-B 78a	55 VA	78	69.5	57	58	56	44.5	4.8	1.050
TE-B 78b	70 VA	78	69.5	66	67	56	53.5	4.8	1.360
TE-B 84a	80 VA	84	74	61	60	64	46.5	4.8	1.320
TE-B 84b	110 VA	84	74	75	74	64	60.5	4.8	1.850
TE-B 96a	125 VA	96	86	70	76	84	59.7	5.8	2.080
TE-B 105a	160 VA	105	90.5	80	78	84	61.5	5.8	2.600
TE-B 105b	200 VA	105	90.5	88	86	84	69.5	5.8	3.080
TE-B 120a	260 VA	120	105	88	86	90	69.7	5.8	3.900
TE-B 120b	350 VA	120	105	100	98	90	101.7	5.8	4.900
TE-B 120c	410 VA	120	105	105	106	90	109.8	5.8	5.600
TE-B 120d	450 VA	120	105	120	118	90	121.7	5.8	6.400