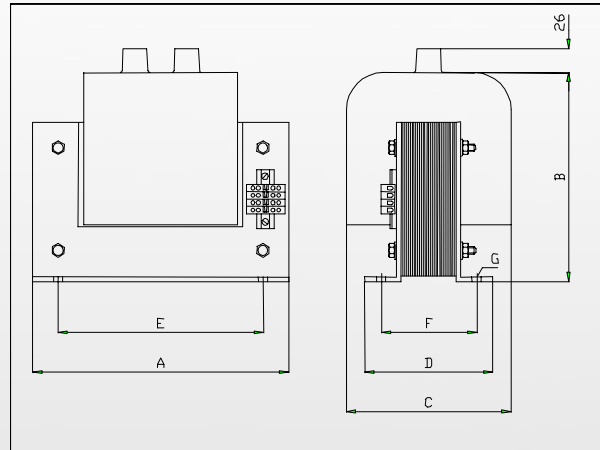
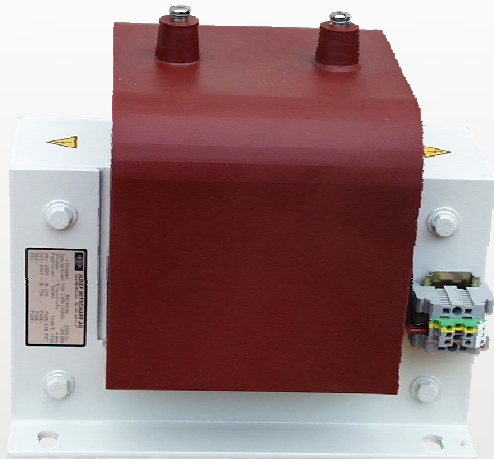


Singlephase Isolating Transformer Type TUVT



Type	Power	A [mm]	B [mm]	C [mm]	D [mm]	E [mm]	F [mm]	G [mm]	Weight [kg]
TUVT 114a	300 VA	190	155	150	120	152	90	7	10.500
TUVT 114b	400 VA	190	155	150	145	152	115	7	14.000
TUVT 132a	600 VA	220	180	160	130	175	100	9	16.500
TUVT 132b	800 VA	220	180	160	145	175	125	9	19.200
TUVT 168a	1000 VA	280	225	180	130	225	100	9	30.000
TUVT 168b	1500 VA	280	224	180	145	225	125	9	34.400
TUVT 180a	2000 VA	300	245	215	160	250	125	12	45.750
TUVT 180b	2500 VA	300	245	215	180	250	150	12	52.500
TUVT 210a	3000 VA	350	285	275	160	280	130	12	66.500
TUVT 210b	3500 VA	350	285	275	180	280	150	12	75.600
TUVT 240a	4000 VA	400	300	220	160	325	125	12	92.600
TUVT 240b	5000 VA	400	320	250	180	325	150	12	107.000
TUVT 240c	6000 VA	400	320	300	220	325	200	12	138.000
TUVT 240d	8000 VA	400	320	300	250	325	220	12	154.000

Power : up to 8'000VA
Isolating voltages : up to approx. 50'000V
Coils casted in resin (vacuum-pressure)
Separate windings

High quality Isolating transformer/Isolations to supply isolated network from ground:

- **Safety technology**
- **Communication technology**
- **Testing technology**