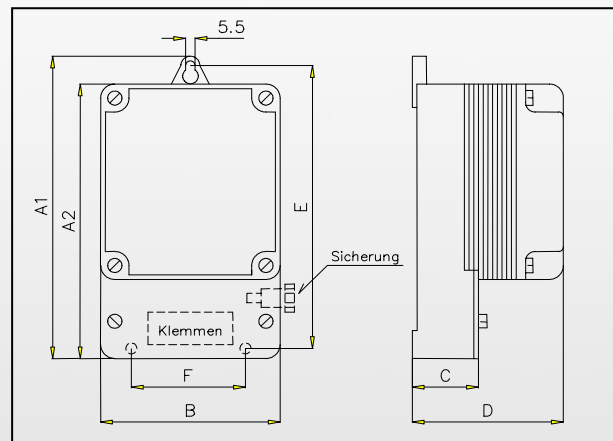
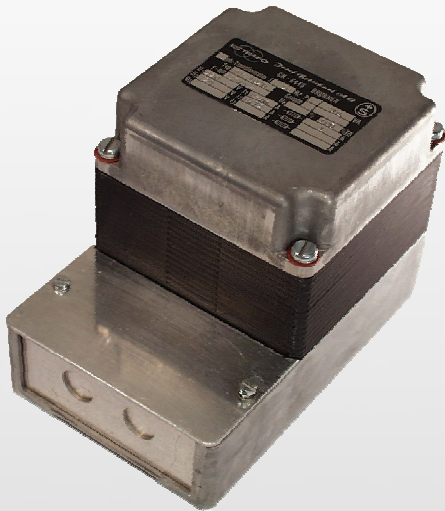


# Singlephase Transformer Type MTK



Type	Power	A1 [mm]	A2 [mm]	B [mm]	C [mm]	D [mm]	E [mm]	F [mm]	G [mm]	Gewicht [kg]
MTK 85a	80 VA	160	139	85	40.5	77.5	145	46	5.5	2.150
MTK 85b	110 VA	160	139	85	40.5	90.5	145	46	5.5	3.000
MTK 102a	160 VA	177	156	102	40.5	105.5	162	60	5.5	3.400
MTK 102b	210 VA	177	156	102	40.5	123	162	60	5.5	4.500
MTK 102bm	300 VA	177	156	102	40.5	123	162	60	5.5	4.400
MTK 120/5	350 VA	203	182	120	47	118	190	72	5.5	6.400
MTK 120/5m	450 VA	203	182	120	47	118	190	72	5.5	6.600
MTK 120/7m	650 VA	203	182	120	47	138	190	72	5.5	8.500
MTK 160/6	800 VA	256	235	160	58	158	241	100	5.5	15.400
MTK 160/6m	950 VA	256	235	160	58	158	241	100	5.5	14.700
MTK 160/10	1100 VA	256	235	160	58	198	241	100	5.5	20.500
MTK 160/10m	1600 VA	256	235	160	58	198	241	100	5.5	19.100

## Built in aluminium housing

- Suitable as mains transformer
- Suitable for wall mounting (IP 41)
- Available with separate windings or as autotransformer
- Vacuum-Pressure impregnated
- Connectors are protected in the housing